

**JVC**<sup>®</sup>  
**PROFESSIONAL**

# HIGH-DENSITY VIDEO CASSETTE RECORDER **SR-9168US**

- 168 hours of high-density recording
- 6-hour realtime recording
- Shuttle ring operation
- One-touch time search/alarm search function
- Alarm mode automatic selection during timer recording
- Key lock function
- Aluminum diecast mechanism for long-lasting reliability
- Easy to maintain with solderless drum
- Optional RS-232C interface
- Series recording
- FDP counter display/hour meter (on screen)
- Alarm/sensor recording
- Timer recording
- Automatic recording check mode
- Field recording/playback
- Auto tape eject function



# Up to 240 hours of high-density recording system with powerful search functions—priceless peace of mind with a low price tag

You know how important video surveillance is to your security. Time and time again, surveillance tapes have proven crucial in apprehending criminals and recovering stolen goods. The peace of mind that you can enjoy with video surveillance is truly priceless. Fortunately, it's affordable too. With JVC's SR-9168US, you can take advantage of continuous high-density recording of up to 30 hours of audio/video and up to 240 hours of video on a single tape, capturing a smooth stream of high-quality realtime images ideal for subsequent analysis and detection. Housed in a rugged diecast aluminum chassis designed to withstand the rigors of long-term use, this affordable, easy to use recorder features powerful search functions including a shuttle ring, as well as a convenient tape counter and usage hour meter display. Naturally, this deck also comes with a versatile set of powerful security-related functions including alarm/sensor recording, series recording, automatic recording check function, tape end buzzer, key lock function and an optional RS-232C interface for integrated operation with a computer.



## Recording Flexibility

### 240-hour high-density recording with a 120-minute tape

Recording times are selectable from 6 hours (EP mode) or 18/30/48/72/96/120/168/240 hours (High-Density mode). The SR-9168US uses a sophisticated high-density field recording system that makes it possible to record up to 240 hours of high-density surveillance images on a single 120-minute tape. By using the VCR's EP heads to advance the tape at a finer pitch during high-density recording, the SR-9168US can record about three times as much information over the same period as a conventional timelapse recorder. This type of recording does result in a slight degradation of picture quality compared to ordinary timelapse recordings, but this is more than made up for by the increased coverage which allows you to analyze the development of a situation in much greater detail.

### Realtime audio recording in 6H, L18H and L30H

Because the tape runs continuously in the 6H, L18H and L30H modes, the SR-9168US is able to record sound as well as images. In the L18H and L30H modes, picture is recorded intermittently. By providing both audio and video information, this function significantly enhances your surveillance capabilities.

### Time/date generator

Superimposes the month, date, year, hour, minute and second on the image during recording. Also allows you to use the menu screen to display the number of alarms, alarm time, and the number of power failures.

Display indication	Modes	Available recording time (hours)		Recording/playback interval (sec.)	Audio recording
		T-120	T-160		
6H	EP	6	8	-	Possible
L18H	18-hour High-Density	18	24	0.05	Possible
L30H	30-hour High-Density	30	40	0.08	Possible
48H	48-hour High-Density	48	64	0.15	N/A
72H	72-hour High-Density	72	96	0.22	N/A
96H	96-hour High-Density	96	128	0.28	N/A
120H	120-hour High-Density	120	160	0.35	N/A
168H	168-hour High-Density	168	224	0.48	N/A
240H	240-hour High-Density	240	320	0.68	N/A

### Timer recording function

Two types of timer recording are available: date-based daily (up to 8 programs) or day-of-the-week-based. Date-based program cancellation for up to 16 days is also possible. This makes it easy to integrate your surveillance schedule with your business schedule. An easy-to-use on-screen menu makes programming simple.

## Versatility

### Alarm recording function

When an alarm signal is input in the High-Density Record mode, the 6/18/30-hour mode is automatically engaged. Alarm recording time can be selected from 5, 15, 30, 60, 120, or 180 sec., to tape end or it can be set manually.

An index code is automatically recorded when alarm recording starts. With the Index Search function, this allows quick access to alarm recording points.

### Sensor recording

Whenever an alarm signal is input in the Stop mode, the Record mode is automatically engaged, ensuring that you will always have a recording of any incident that occurs.

### Shuttle ring operation

Gives you accurate, responsive control over still, field-by-field advance and reverse step slow playback. In the FWD mode, field-by-field playback from x1/30 to x1/5 is available, while in the REV mode, x1/7 to x1/5 reverse step slow playback is possible. The ring also provides high-speed shuttle search at x13.

### One-touch time search/alarm search function

Recorded index codes (VISS) can be cued up with the index search function, while recorded alarm signals can be located quickly with automatic playback from the marked point, giving you fast access to recorded segments that require closer viewing.

### Alarm mode automatic selection during timer recording

Preset alarm operation is automatically activated during timer recording when an alarm signal is received, ensuring that important material is always recorded for later analysis.

### Alarm/power loss memory

To help you pinpoint and track critical problem periods, up to 9 alarm inputs or power losses (failures) can be stored in memory. Added security is provided by a highly reliable standby power backup security system for automatic re-start of recording as soon as power is restored after a power failure.

### Still, field advance and reverse play

For a closer review of recordings, the SR-9168US offers still playback and field advance together with reverse play.

### External activation of recording

Recording start/stop can be controlled by transmitting a VCR activation signal from an external source.

## Reliability

### Recording Check function

Pressing the REC CHECK button during recording allows you to check the status of the recording in progress. When activated via the corresponding function menu switch, the built-in head cleaner automatically cleans the heads whenever inferior picture quality is detected during Recording Check. After cleaning, the Recording Check operation is executed again automatically (Auto Recording Check function).

### Key lock function

To prevent accidental or deliberate interference with VCR operation, a key operation can be locked with the front keys.

### Warning function

Error indications are shown on the front panel display. Error warnings include problems with cassette loading, cassette unloading, or the transport system operation mode.

## System Flexibility

### Series recording

Built-in series input/output connectors allow you to extend your recording capabilities indefinitely or take advantage of shorter realtime or high-density recording modes (6, 18, or 30 hours) for longer periods. Connect several VCRs in series and automatically switch recording from one unit to the next without interrupting the recording.

### Camera switching function

The SR-9168US is equipped with a camera select signal output to synchronize camera switching with High-Density recording intervals. Since switching is performed during pauses in recording, even when using multiple cameras, continuous coverage is assured during High-Density recording.

### Power-off video through-out function

Even when the power is off, the camera's EE input can be output from the VCR.

### Optional RS-232C interface

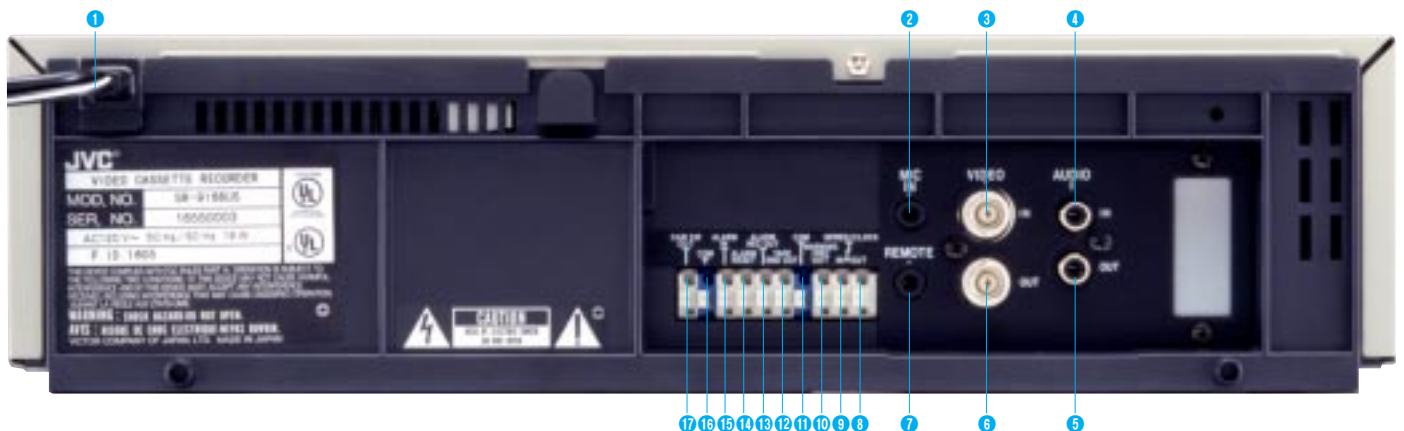
The SR-9168US can easily be integrated in a centralized, computer-controlled security system with the optional RS-232C interface (SA-K97U) for direct computer connection.

## Other Features

- On-screen menu setting functions
- Automatic head cleaning
- Quick-response full-loading mechanism
- Picture control (normal/sharp)
- Digital hour meter display
- Repeat recording
- Alarm recording, tape end and warning electronic buzzer
- Summer time compensation function
- Wired remote control (optional)
- Tape end signal output function
- Clock adjust
- Auto tape eject function

### Rear panel

- |   |  |
|---|--|
| 1 Power cable                                       | 11 [COM] common ground terminal                                |
| 2 [MIC IN] connector                                | 12 [TAPE END OUT] tape end signal output terminal              |
| 3 [VIDEO IN] connector (BNC)                        | 13 [ALARM REC OUT] alarm recording mode signal output terminal |
| 4 [AUDIO IN] connector (RCA)                        | 14 [ALARM RESET] alarm signal reset input terminal             |
| 5 [AUDIO OUT] connector (RCA)                       | 15 [ALARM IN] alarm signal input terminal                      |
| 6 [VIDEO OUT] connector (BNC)                       | 16 [COM] common ground terminal                                |
| 7 [REMOTE] connector                                | 17 [CAM SW OUT] camera switching signal output terminal        |
| 8 [SERIES/CLOCK OUT] terminal                       |  |
| 9 [SERIES/CLOCK IN] terminal                        |  |
| 10 [WARNING/REC OUT] warning signal output terminal |  |

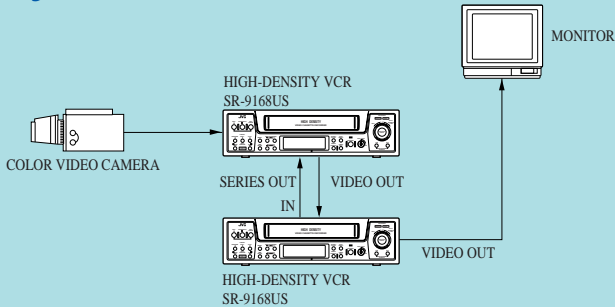


# Design Your Own System Configuration

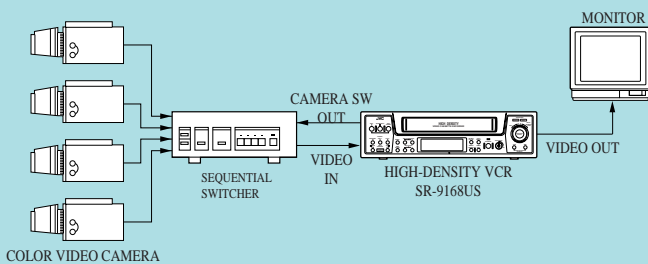
## System 1 Basic System



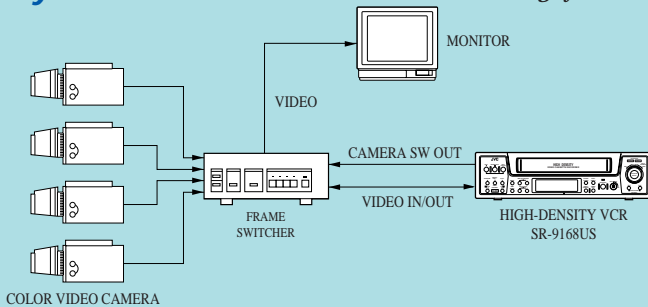
## System 2 Long Duration Surveillance



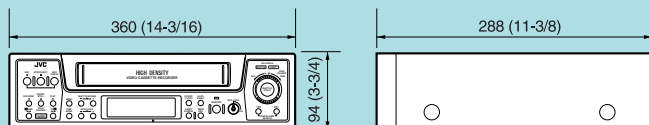
## System 3 Multi-Camera Sequential Recording System



## System 4 Multi-Camera Multi-Screen Recording System



## DIMENSIONS (mm/inches)



## SPECIFICATIONS

### GENERAL

Power requirement: AC 120 V, 50/60 Hz  
 Power consumption: Approx. 16 W (5 W in Standby mode)  
 Dimensions (mm): 360 (W) x 94 (H) x 288 (D) (14-3/16" x 3-3/4" x 11-3/8")  
 Weight: 5 kg (11.0 lbs.)  
 Temperature:  
 Operating: +5°C to +40°C (41°F to 104°F)  
 Storage: -20°C to +60°C (-4°F to 140°F)  
 Tape speed: 11.12 mm/sec., EP mode  
 Recording and playback time: 6 hours (EP mode)

(High-density mode: field recording)  
 6, L18, L30, 48, 72, 96, 120, 168, 240 hours  
 (with T-120 cassette)  
 8, L24, L40, 64, 96, 128, 160, 224, 320 hours  
 (with T-160 cassette)

### VIDEO

Signal system: NTSC-type color signal, 525 lines/60 fields  
 Recording system: Luminance: FM recording  
 Chrominance: Down converted direct recording  
 Signal input: 0.5 to 2.0 Vp-p, 75 ohms, unbalanced (BNC)  
 Signal output: 1.0 Vp-p, 75 ohms, unbalanced (BNC)  
 Horizontal resolution: Color mode: 230 lines or more (6H mode)  
 S/N ratio: 43 dB or more (6H mode)

### AUDIO

Number of tracks: 1 (normal)  
 Line input: -8 dBs, 50 kohms, unbalanced (RCA)  
 Mic input: -67 dBs, 600 ohms, unbalanced  
 Line output: -8 dBs, 1 kohm, unbalanced (RCA)  
 Frequency response: 100 Hz to 5 kHz (6H mode)  
 S/N ratio: 40 dB or more (6H mode)

### TIME/DATE GENERATOR

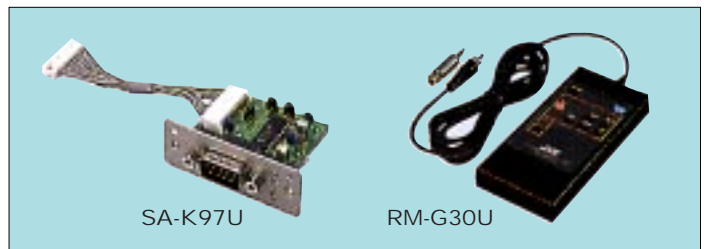
Display: Month, day, year, hours, minutes, seconds, recording mode  
 Display position: 4 positions  
 Character size: 16H  
 Power backup: Approx. five years

### ALARM

Input: Input-ground contact  
 Camera SW: Negative pulse output (approx. 5 ms)

### OPTIONAL ACCESSORIES

SA-K97U: RS-232C interface  
 RM-G30U: Remote control unit



Design and specifications subject to change without notice.



DISTRIBUTED BY

JVC PROFESSIONAL PRODUCTS COMPANY  
 DIVISION OF JVC AMERICAS CORP.  
 1700 Valley Road Wayne, NJ 07470

TEL: 973-315-5000, 1-800-526-5308 FAX: 973-315-5030

JVC CANADA INC.

21 Finchdene Square, Scarborough Ontario M1X 1A7  
 TEL: 416-293-1311 FAX: 416-293-8208

http://www.jvcpro.com



Certificate No. EC96J1049



ISO9001/No. FM26586

The Hachioji Plant of Victor Company of Japan, Ltd., has received ISO14001 Certification under the global standard for environmental management.

Printed in Japan  
 CON0080 CESR9168USN011