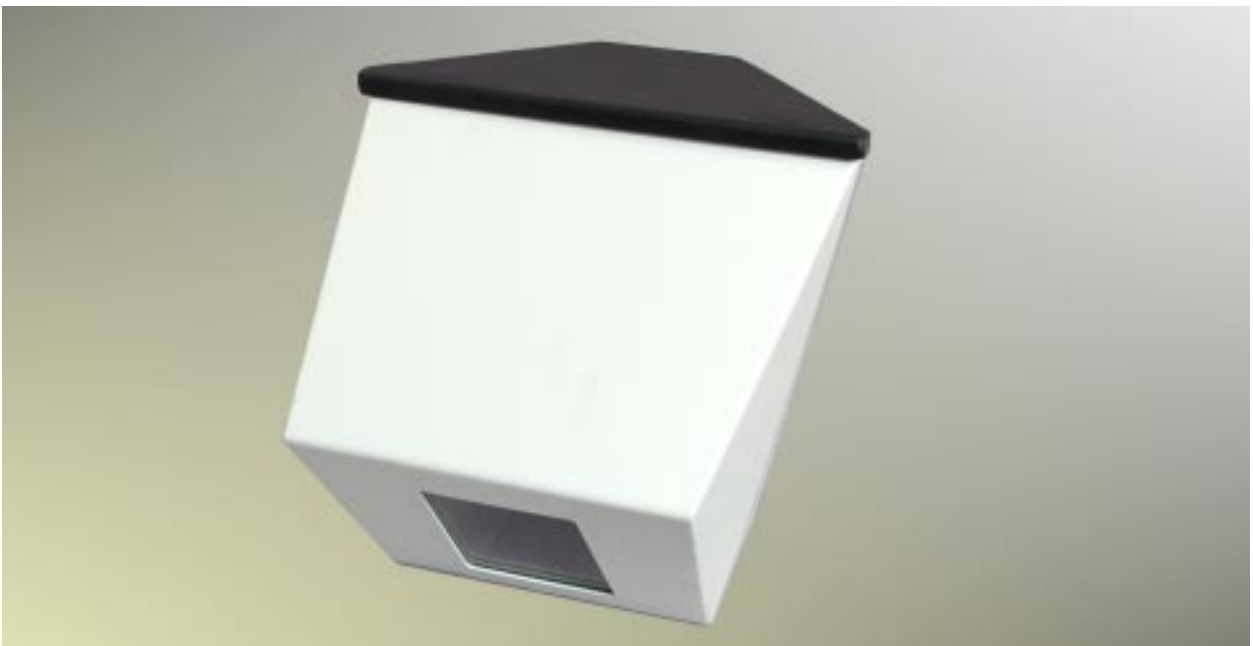


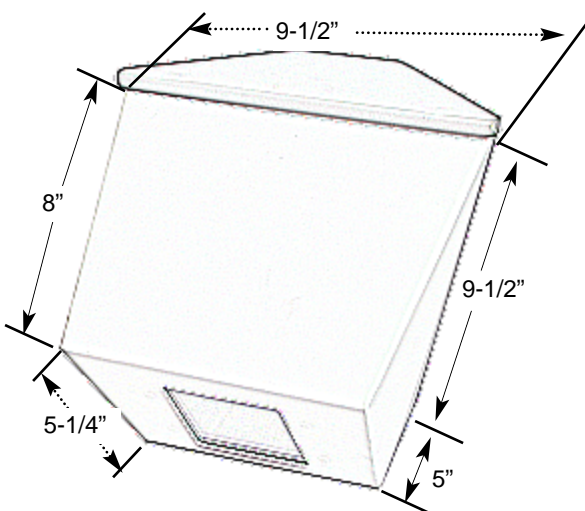
AxIAS STECE

All Purpose Corner Camera Enclosure

The AxIAS STECE is a corner mounted camera enclosure designed for maximum viewing in confined areas such as elevators, stairwells, hallways or small rooms. Constructed of heavy duty 16-gauge cold rolled steel with a durable powder coated finish. The camera enclosure mounts to a mounting frame using special tamper resistant screws and Allen tool (included) preventing unauthorized access to the mounting bolts and cable entry. The AxIAS STECE comes with fully adjustable camera mounting bracket and a Mar Proof 1/4" thick 3"W x 3-1/2"H camera view window and will accommodate a variety of chip cameras up to 9-1/2" long.



Product Specifications



A "mar proof" 1/4" thick 3" w x 3-1/2"H Lexan window.

Part#: STECE

Color and Finish:
Beige textured enamel.

Shipping Weight:
12 lb.

Specifications subject to change without prior notice.



Pach & Company
www.pach-co.com

941 Calle Negocio
San Clemente, CA 92673

Phone: 1-888-678-7224
Fax: 949-498-6879