

AxIAS 975HDCE

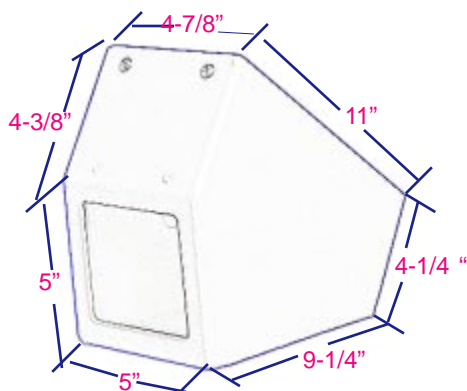
Heavy Duty Ceiling Camera Enclosure

The AxIAS 975HDCE is a heavy duty prison grade compact camera enclosure designed to be mounted on concrete surfaces or confined areas that have little or no access above the ceiling such as detention or holding cells, tunnels, stairwells or parking structures. It has an adjustable camera mounting cradle and 1/4" thick x 3-1/2" square Mar Resistant Lexan window. The housing is constructed of extra rugged 10-gauge cold rolled steel with a durable powder coated enamel finish. The camera housing mounts to a housing frame mount with special tamper resistant screws using special Allen tool (included).



Specifications

Outside:



Inside: 9-1/2"L x 4-3/8"W x 4-1/2"H

Color and Finish: Beige textured enamel.

Shipping Weight: 13 lb.

Order Part #: 975HDCE

Specifications subject to change without prior notice.



Pach & Company
www.pach-co.com

941 Calle Negocio
San Clemente, CA 92673

Phone: 1-888-678-7224
Fax: 949-498-6879