

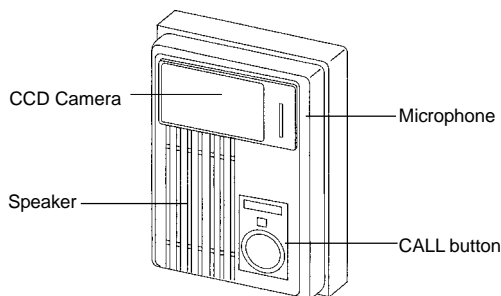
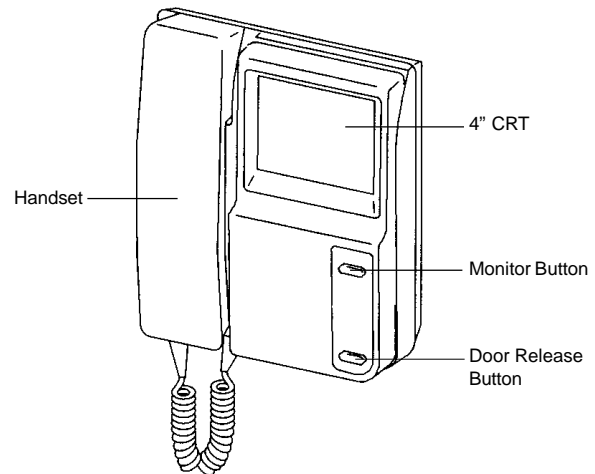
MKS-1EYC

Door Sentry System

DESCRIPTION:

The MKS-1EYC is an audio video door answering system complete with a door station (MK-DS), an inside monitoring station (MK-1MD/A) and a power supply (PS-18YC/A). An additional MK-1MD/A or an audio only handset (MK-1SD) may be added. The camera features a black & white CCD camera with built in infrared illumination for low light viewing, and

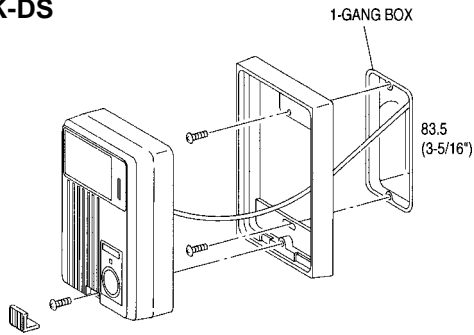
can be manually tilted vertically up to 14 degrees. The call button on the door station turns on the 4" CRT at the inside monitor and activates a four-stroke chime. Audio communication at the door station is hands free, and communication at the inside station is through the handset. The MK-1MD also features a normally open dry contact for door release.

MK-DS**MK-1MD/A****FEATURES & FUNCTIONS:**

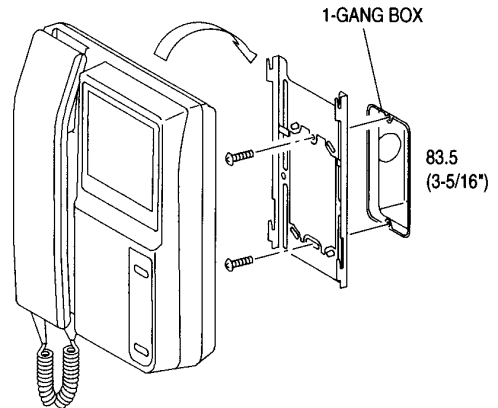
- Wide angle CCD camera
- Call button rings chime at inside monitor
- Video monitor turns on when door calls in
- Audio and video activate with monitor button
- Handset for two-way communication at inside station
- Hands free communication at the door station
- Infrared, CCD camera for low light applications
- Activate door strike from inside station(s)
- Simple 2-wire hook up -- Can replace existing doorbell
- Second monitor or audio-only handset station can be added

MOUNTING & INSTALLATION:

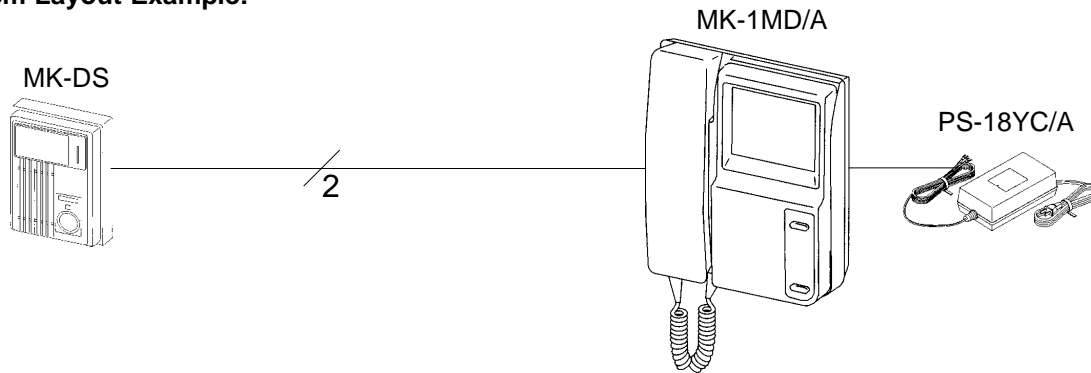
MK-DS



MK-1MD/A



System Layout Example:



SPECIFICATIONS:

System:	MKS-1EYC (MK-DS, MK-1MD/A, PS-18YC/A)
Power Source:	18V DC - Use PS-18YC/A
Operating Temperature:	MK-DS: 14° ~ 140° F MK-1MD/A: 32° ~ 104° F
Communication:	Hands free at door station, Handset at monitor station
Camera Unit:	CCD (Charged Coupled Device) with infrared LED illumination
Image Viewing Area:	39" Vert. x 27" Horiz. at 20"
Degree of Tilt:	14 degrees
Wiring Distance:	165' w/22AWG; 330' w/18AWG
Material:	ABS plastic
Color:	MK-1MD/A: White MK-DS: Gray
Mounting:	Surface mount
Backbox:	1-Gang box or ring
Door Release Contact:	Normally Open - 12V DC, 400mA Max.
Dimensions (H x W x D):	MK-1MD/A: 8-1/4" x 7-5/16" x 3-1/16" MK-DS: 5-1/8" x 3-7/8" x 1-1/2"