

LTC 0610 Series High Performance Color Cameras



Security Systems



- 15-bit DSP Technology
- XF-Dynamic
- Bilinx Communication
- NightSense
- Default Shutter
- Lens Wizard
- Auto Black
- Video Motion Detection

The LTC 0610 Series of High Performance 1/2-inch Digital CCD Color Cameras create the best possible image, even under the most difficult light and scene conditions. The unique 15-bit digital video processing enhances sensitivity while XF-Dynamic extends the dynamic range.

The camera employs the best 1/2-inch CCD available as well as advanced front end processing combined with the outstanding Dinion DSP. These result in astonishing sensitivity, providing better color images in low light situations and sharper daytime images. Intelligent White balance algorithms, supported by a White Balance Hold function and even full manual white balance, ensure the most accurate color reproduction possible.

All Dinion cameras are supplied ready to operate. Simply attach and focus the lens, then connect power to provide optimal pictures under virtually all scene conditions. No tools are required for back focus and power connection. For especially challenging situations where fine tuning or special settings are required, the camera parameters can be individually set using the control buttons on the side of the camera and On-screen Display (OSD). Also, to aid installation, the camera automatically detects the lens type. The Lens Wizard ensures accurate (back) focusing for perfectly sharp pictures at all times.

XF-Dynamic

XF-Dynamic provides extended dynamic range. The highly accurate 15-bit digital signal is automatically processed to optimally capture the detail in both the high and low light areas of the scene simultaneously, maximizing the information visible in the picture.

Bilinx Technology

Bilinx is a bi-directional communication capability embedded in the video signal of all Bosch Dinion cameras. Technicians can check status, change camera settings and even update firmware from virtually anywhere along the video cable. Bilinx reduces service and installation time, provides for more accurate set-up and adjustment, and improves overall performance. In addition, Bilinx uses the standard video cable to transmit alarm and status messages, providing superior performance without additional installation steps.

Video Motion Detection

The built-in video motion detector allows you to select up to four fully programmable areas with individual thresholds. The global scene change detector minimizes false alarms caused by sudden lighting condition changes, such as

switching on or off the indoor or security lighting. When motion is detected alarms may be displayed in the video signal while the output relay can be closed in addition to alarm message transmission on Bilinx

Auto Black

The automatic black level feature enhances contrast by removing veiling glare from the picture or when contrast is reduced by fog or mist.

Default Shutter

The LTC 0610 features a fast, default shutter speed in sufficient lighting conditions to capture moving objects. When light levels fall and other adjustments have been exhausted, the shutter speed reverts to the standard setting to maintain sensitivity.

Back Light Compensation (BLC)

Offering a fully programmable BLC area of interest, and a variable BLC level, the camera can be easily set up for even the most challenging entrance applications.

Lens Wizard

The installed lens type is automatically detected. The Lens Wizard allows for proper focusing of the lens at the maximum lens opening, to ensure that focus is maintained throughout the entire 24-hour day/night cycle. No special tools or filters are required.

Programmable Modes

Three independent, preprogrammed operating modes support typical applications, but are fully programmable for individual situations. Switching between modes is easy via Bilinx or the external alarm input.

NightSense

With NightSense the sensitivity is increased by 9 dB in monochrome mode. NightSense can be automatically activated in low light situations, or remotely using Bilinx.

SensUp

By increasing the integration time on the CCD up to 10 times, the effective sensitivity is dramatically enhanced. This is especially useful when relying only on moonlight for illumination.

Security you can rely on

BOSCH

SPECIFICATIONS

Type numbers	LTC 0610/10 LTC 0610/50 LTC 0610/20 LTC 0610/60
CCD type	1/2-inch interline
Active pixels	752 x 582 (PAL) 768x492 (NTSC)
Sensitivity (Full video)*	0.72 lux
Sensitivity 50 IRE*	0.35 lux / 0.14 lux (NightSense)
Minimum illumination*	0.23 lux / 0.095 lux (NightSense)
Min. Resolution	480 TVL
SNR	> 50 dB
Video output	1 Vpp, 75 Ω
Y/C output	Y: 1 Vpp / C: 0.3 Vpp
Synchronization	Internal, Line Lock, HV-lock and Genlock (Burst lock) selectable
Shutter	Auto (1/60 (1/50) to 1/500000), Fixed, Flickerless, Default
NightSense	Auto, Forced, Off
Sensitivity up	Off, Automatic continuous up to 10x
Auto Black	On, Off selectable
Dynamic Range	32x dynamic range enhancement
Dynamic Noise	
Reduction	Auto, Off selectable
Contour	Sharpness enhancement level selectable
BLC	Off, Area and Level selectable
Gain	Auto (maximum level selectable to 28 dB) or fixed level selectable
Lens Mount	C/CS
White balance	ATW (2500 - 10000 K), AWB hold, Manual WB selectable
VMD	4 area, sensitivity selectable
Alarm output	VMD or Bilinx
Alarm Input (TTL)	Profile switching, +5 V nominal, +40 Vdc max
Alarm Output Relay	max. 30 Vac or +40 Vdc, Max 0,5 A continuous, 10 VA
External sync input	75 Ω or High Impedance selectable
Cable compensation	Up to 1000 m (3000 ft) coax without external amplifiers (automatic set-up in combination with coaxial communication)
Camera ID	16 character editable string, position selectable
Lens types	Manual, DC and Video Iris auto-detect with override DC iris drive: max 50 mA continuous Video iris: 11.5 ± 0.5 VDC, max 50 mA continuous
Remote control	Bi-directional coaxial communication
Power Consumption	4 W
Power Supply	12-28 VAC 110-240 VAC 12-28 VAC 110-240 VAC 11-36 VDC 50 or 60 Hz 11-36 VDC 50 or 60 Hz
Dimensions	59 x 67 x 122 mm (2.28 x 2.6 x 4.8 inch) (hwxl) without lens
Weight	450 g (0.99 lbs) without lens
Tripod mount	Bottom (isolated) and top 1/4" 20 UNC
Operating temperature	-20 °C to +50 °C (-4 °F to +122 °F)
Controls	OSD with softkey operation

ENVIRONMENTAL

Storage temperature	-25 °C to +70 °C (-13 °F to +158 °F)
Ambient humidity	Operating: 20% to 93% RH, storage up to 98% RH
Electro Magnetic Compatibility	
Emission	EN55022 class B, FCC class B part 15
Immunity	EN50130-4 Alarm Systems, Part 4
Vibration	Camera with 500 gr (1.1 lbs) lens according to IEC60068-2-27
Safety	EN60065 (/10 and /50 models) UL6500, cUL CAN/CSA E60065-00 (/20 and /60 models)

OPTIONAL

Accessories	VP-CFGSFT Configuration software for cameras using Bilinx. Includes VP-USB Adaptor.
--------------------	---

Power transformers

TC1334	120 VAC, 60 Hz	24 VAC, 30 VA
TC120PS	120 VAC, 60 Hz	15 VDC, 9 VA
TC220PSX-24	220-240 VAC, 50/60 Hz	24 VAC, 20 VA
TC220PS	220-240 VAC, 50/60 Hz	15 VDC, 9 VA

RECOMMENDED LENSES

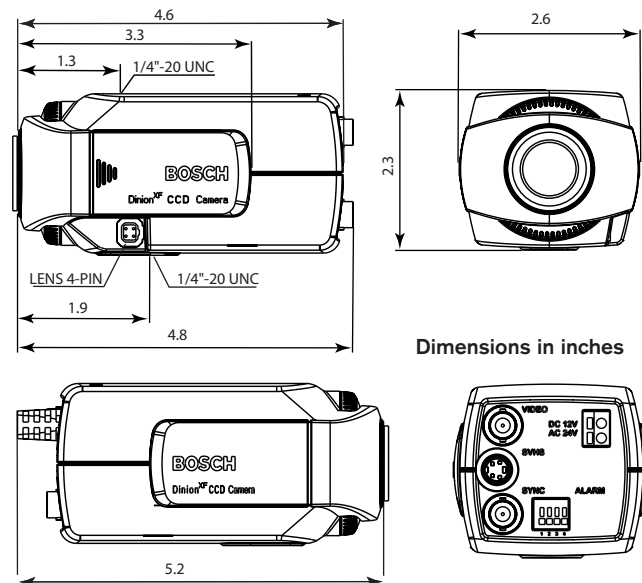
Varifocal lenses

LTC 3264/30	1/2" DC-iris, 4.5-10 mm	F1.6-360
LTC 3274/40	1/2" DC-iris, 7.5-75 mm	F2.2-360

Zoom lenses

LTC 3283/20	1/2" Video-iris, 8-48 mm	F1.4-360
--------------------	--------------------------	----------

*Scene illumination, F1.2 lens, 89% scene reflectance, Sens Up Off



BOSCH

Bosch Security Systems, Inc.
850 Greenfield Road
Lancaster, PA 17601 USA
Tel: 800-326-3270
Fax: 1-717-735-6560
www.boschsecuritysystems.com