

H2Z4516CS-2

VARI FOCAL 2X 4.5~10mm F1.6
for 1/2" format cameras
CS-Mount

Model No.	H2Z4516CS-2		Effective	Front	φ 18.6mm
Focal Length	4.5 ~ 10 mm		Lens Aperture	Rear	φ 9.0mm
Max. Aperture Ratio	1 : 1.6		Back Focal Length	Tele	13.4mm
Max. Image Format	6.4 x 4.8mm (φ 8mm)			Wide	8.6mm
Operation Range	Iris	F1.6 ~ C	Flange Back Length		12.5mm
	Focus	0.3m ~ Inf.	Mount		CS-Mount
	Zoom	4.5 ~ 10 mm	Filter Size		-
Control	Iris	Manual	Dimensions		φ 34.0 x 43.5mm
	Focus	Manual	Weight		40g
	Zoom	Manual			
Object Dimension at M.O.D.	4.5 mm	51.5 x 34.9cm			
	10 mm	20.8 x 15.3cm			
Angle of View	D	102.3~47.6°	1/3"	76.1~35.8°	56.5~26.9°
	H	81.3~38.2°		60.4~28.7°	45.0~21.5°
	V	60.4~28.7°		45.0~21.5°	33.6~16.1°
Operating Temperature	-20° C ~ +50° C				

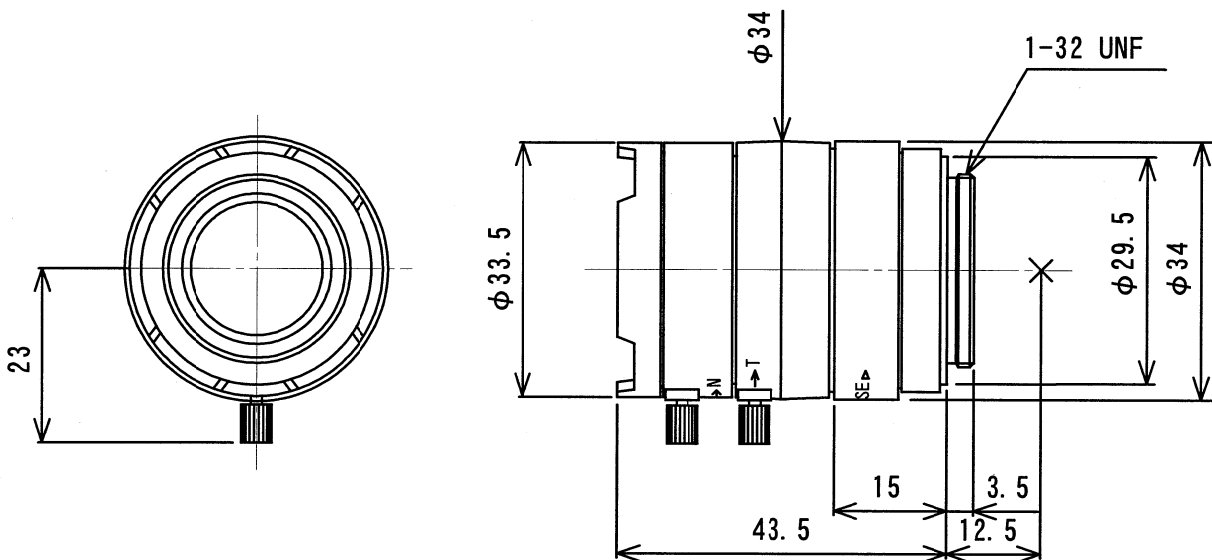
1/2

CS

F

M.O.D. : Minimum Object Distance

Dimensions



Z

SP